

SYNICEM™

PREFORMED TO MAINTAIN SPACE
AND AID TREATMENT OF INFECTION

Specification Guide



SYNICEM™

Preformed spacers to maintain space and aid treatment of infection

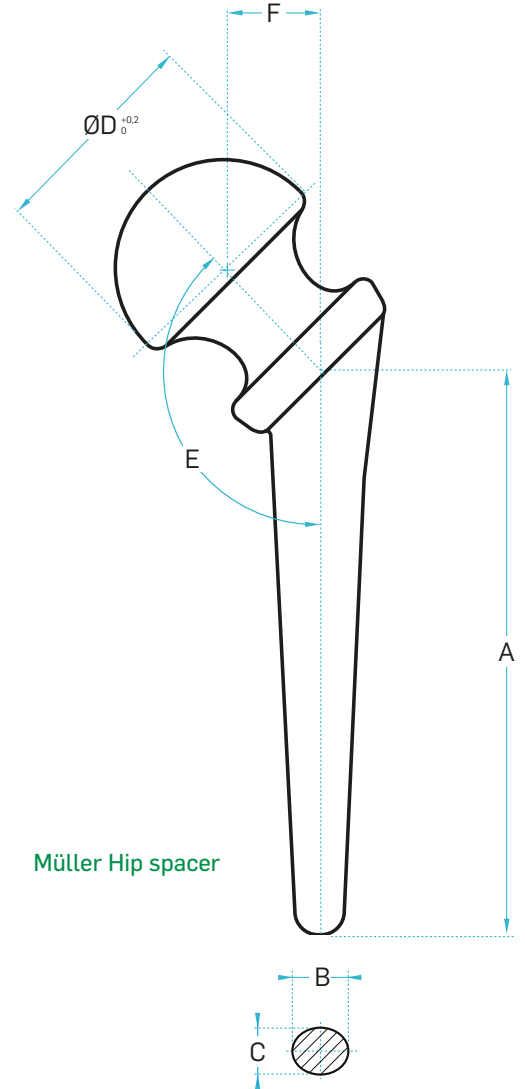
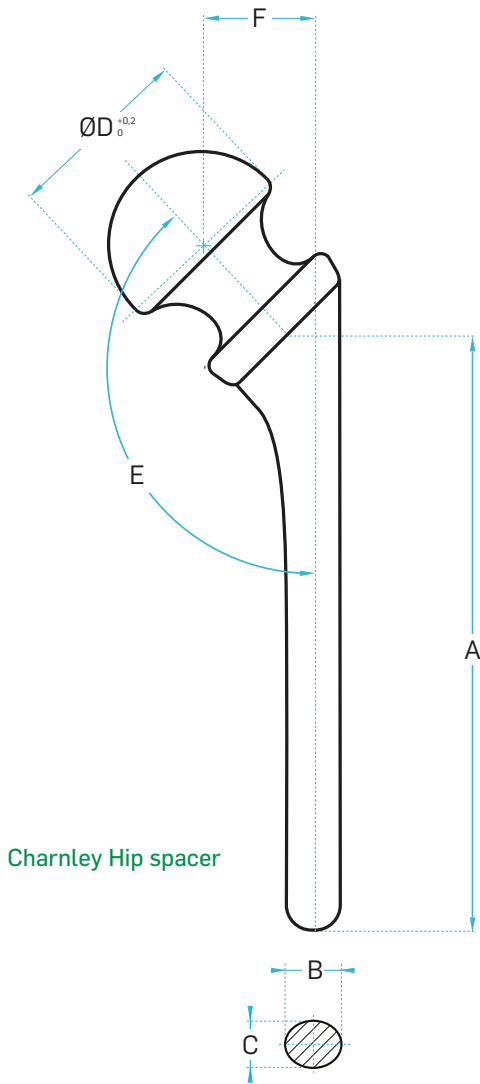
- ✓ Precision engineered for consistency and structural uniformity
- ✓ Designed for dynamic movement and stability
- ✓ Preloaded with gentamicin to aid treatment of infection¹
- ✓ Case-by-case flexibility and time-saving

SYNICEM spacers are preformed and precision engineered to overcome mechanical complications from poor intra-operative spacer design, such as instability and spacer fracture.²

SYNICEM SIMPLICITY



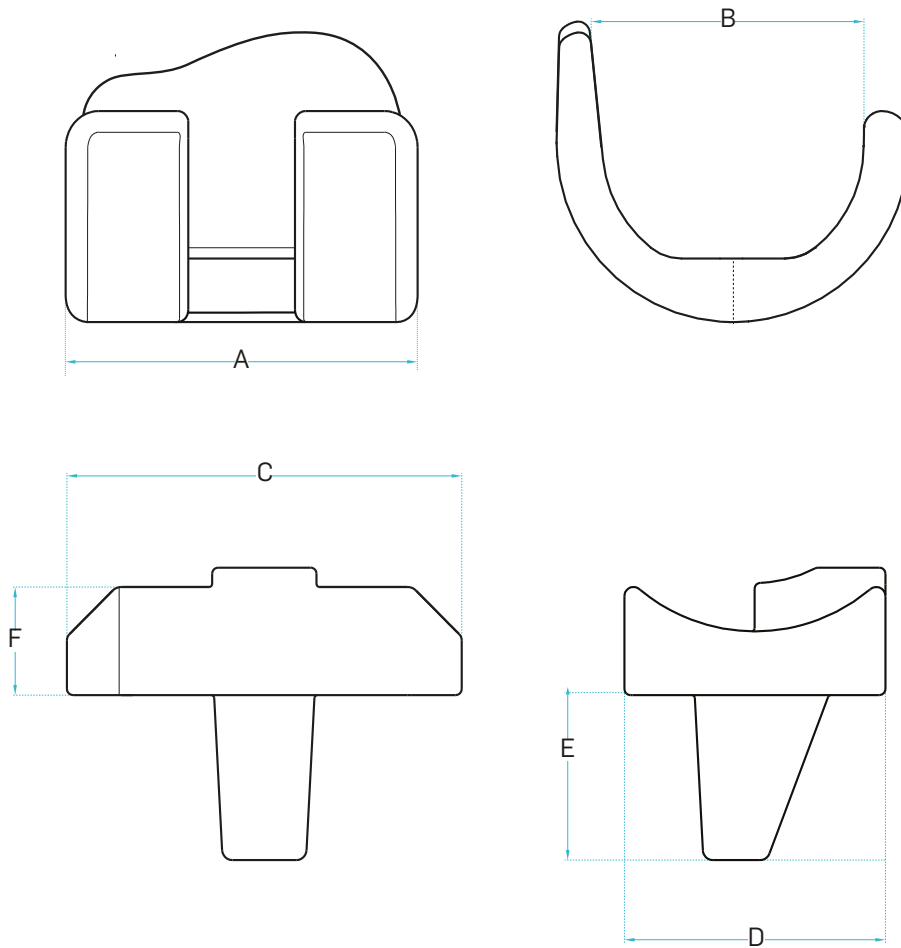
Hip



Hip specifications

Model	Model type	Stem length (A)	Stem end diameter (B)	Stem end diameter (C)	Head diameter (ØD)	Neck angle (E)	Offset (F)	Gentamicin content*	Order code
40C	Charnley	127 mm	12.2 mm	10 mm	40 mm	137°	23.9 mm	1.6 grams	880970
48C	Charnley	130 mm	12.2 mm	10 mm	48 mm	137°	29.5 mm	2.5 grams	880980
56C	Charnley	130 mm	12.2 mm	10 mm	56 mm	137°	32.8 mm	3.7 grams	880990
40CXL	Charnley	250 mm	12.2 mm	10 mm	40 mm	137°	23.9 mm	2.1 grams	880991
48CXL	Charnley	250 mm	12.2 mm	10 mm	48 mm	137°	29.5 mm	3.0 grams	880968
56CXL	Charnley	250 mm	12.2 mm	10 mm	56 mm	137°	32.8 mm	4.2 grams	880969
48M	Müller	120 mm	11.5 mm	9.5 mm	48 mm	137°	20.7 mm	2.7 grams	880975
56M	Müller	127 mm	12 mm	8 mm	56 mm	137°	24.7 mm	3.8 grams	880985

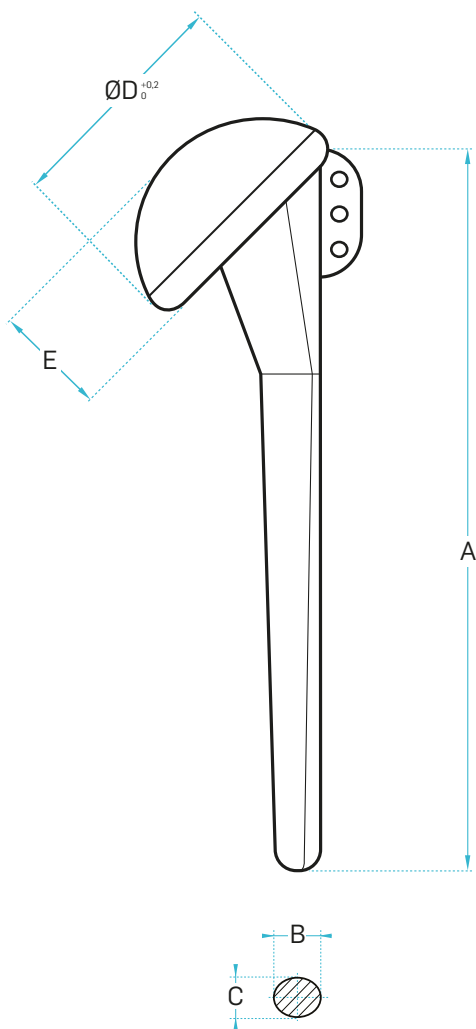
Knee



Knee specifications

Model	Knee spacer orientation	Femoral medial/lateral (A)	Femoral anterior/posterior (B)	Tibial medial/lateral (C)	Tibial anterior/posterior (D)	Tibial stem length (E)	Tibial tray height (F)	Gentamicin content*	Order code
RD58	Right	58 mm	45 mm	65 mm	43 mm	27.2 mm	17.7 mm	3.2 grams	880961
RI58	Left	58 mm	45 mm	65 mm	43 mm	27.2 mm	17.7 mm	3.2 grams	880962
RD65	Right	65 mm	45 mm	73 mm	43 mm	27.2 mm	17.7 mm	3.5 grams	880963
RI65	Left	65 mm	45 mm	73 mm	43 mm	27.2 mm	17.7 mm	3.5 grams	880964
RD72	Right	72 mm	54 mm	77.5 mm	50 mm	30.6 mm	20 mm	5.3 grams	881266
RI72	Left	72 mm	54 mm	77.5 mm	50 mm	30.6 mm	20 mm	5.3 grams	881267
RD79	Right	79 mm	54 mm	85 mm	50 mm	30.6 mm	20 mm	5.5 grams	880966
RI79	Left	79 mm	54 mm	85 mm	50 mm	30.6 mm	20 mm	5.5 grams	880967

Shoulder



Shoulder specifications

Model	Stem length (A)	Stem end diameter (B)	Stem end diameter (C)	Head diameter (ØD)	Head height (E)	Gentamicin content*	Order code
H40	120 mm	8.5 mm	8.0 mm	40 mm	19.1 mm	1.0 grams	881220
H48	120 mm	8.5 mm	8.0 mm	48 mm	22.9 mm	1.5 grams	881221

SYNICEM™

The Biocomposites Companion

Your essential guide to making the most of SYNICEM spacers - all in one straightforward app.

- ✓ How to use: surgical technique
- ✓ Top tips: tried and tested advice for surgeons
- ✓ FAQs: common questions answered
- ✓ Product range: what's available



To download your Biocomposites Companion, simply scan the QR code.



Find out more at biocomposites.com

1. Synimed, Synicem Spacers Instruction for Use.
2. Craig, raig, A., et al. (2022). Articular spacers in two-stage revision arthroplasty for prosthetic joint infection of the hip and the knee. *EFORT Open Reviews*, 7, 137 – 152.

©2024, Biocomposites are registered trademark for Biocomposites Ltd. Synicem are trademarks/registered trademarks of Synergie Ingénierie Médicale S.A.R.L. All rights reserved. No unauthorised copying, reproduction, distributing or republication is allowed unless prior written permission is granted by the owner, Biocomposites Ltd.

The Synicem range is manufactured by Synimed and distributed by Biocomposites.

Synergie Ingénierie Médicale S.A.R.L. (Synimed), Zone Artisanale de l'Angle, 19370 Chamberet, France.

Biocomposites Ltd, Keele Science Park, Keele, Staffordshire, England.

MA0439R1